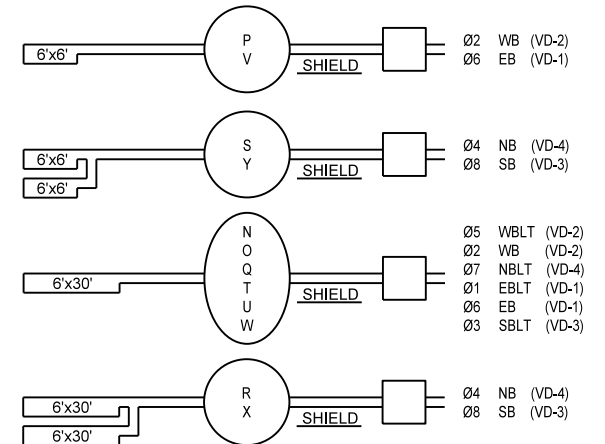
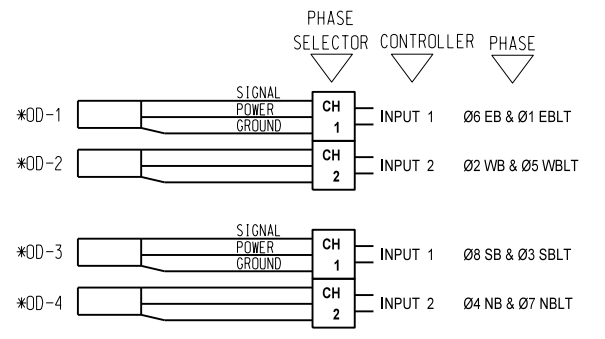


REVISIONS		
NO.	DESCRIPTION	DATE



AREAS OF VIDEO DETECTION

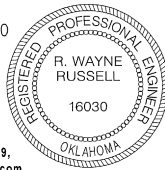


PRE-EMPTOR DETAILS

* OPTICAL DETECTOR

NOTE:
IF JUMPERS OR OTHER CONNECTIONS ARE MADE IN THE FIELD DURING INSTALLATION, AND ARE ACCEPTED BY THE ENGINEER THIS SHOULD BE SHOWN ON THE WIRING DIAGRAM FOR FUTURE REFERENCE.

R. Wayne Russell
R. WAYNE RUSSELL, P.E. # 16030
C.A. # 1160, RENEWAL 06-30-17



12-12-16
DATE

Traffic Engineering Consultants, Inc.
6000 S. Western, Suite 300 • Oklahoma City, OK 73139,
Ph: 405-720-7721, Fax: 405-720-9848, Web: www.tecok.com

Design RWR 2/14/2016
Drawn CCC 2/14/2016



SIGNAL WIRING DIAGRAM CLEVELAND ST. & CHESTNUT AVE.

Project No. R-1311A Sheet No. 13